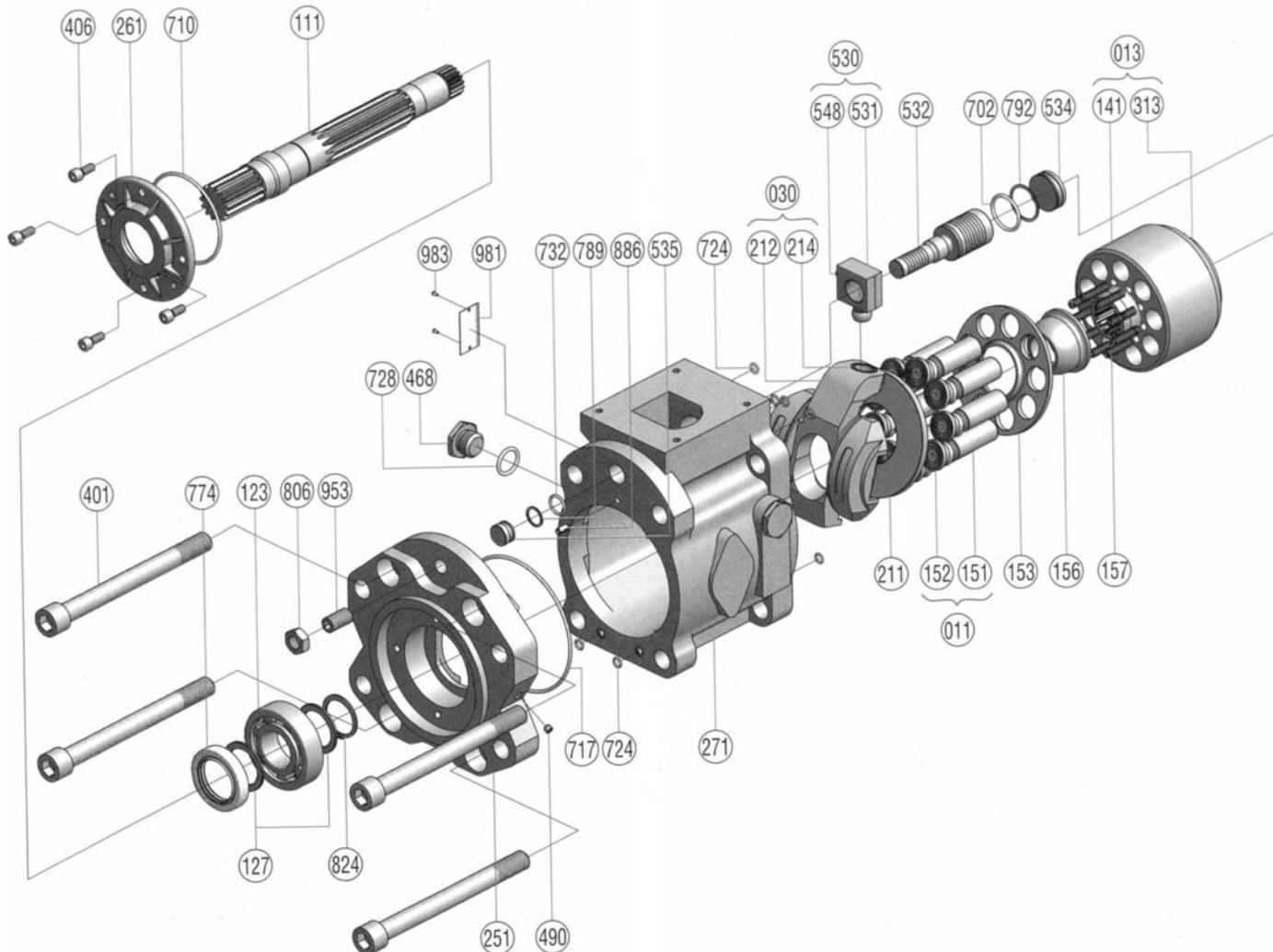


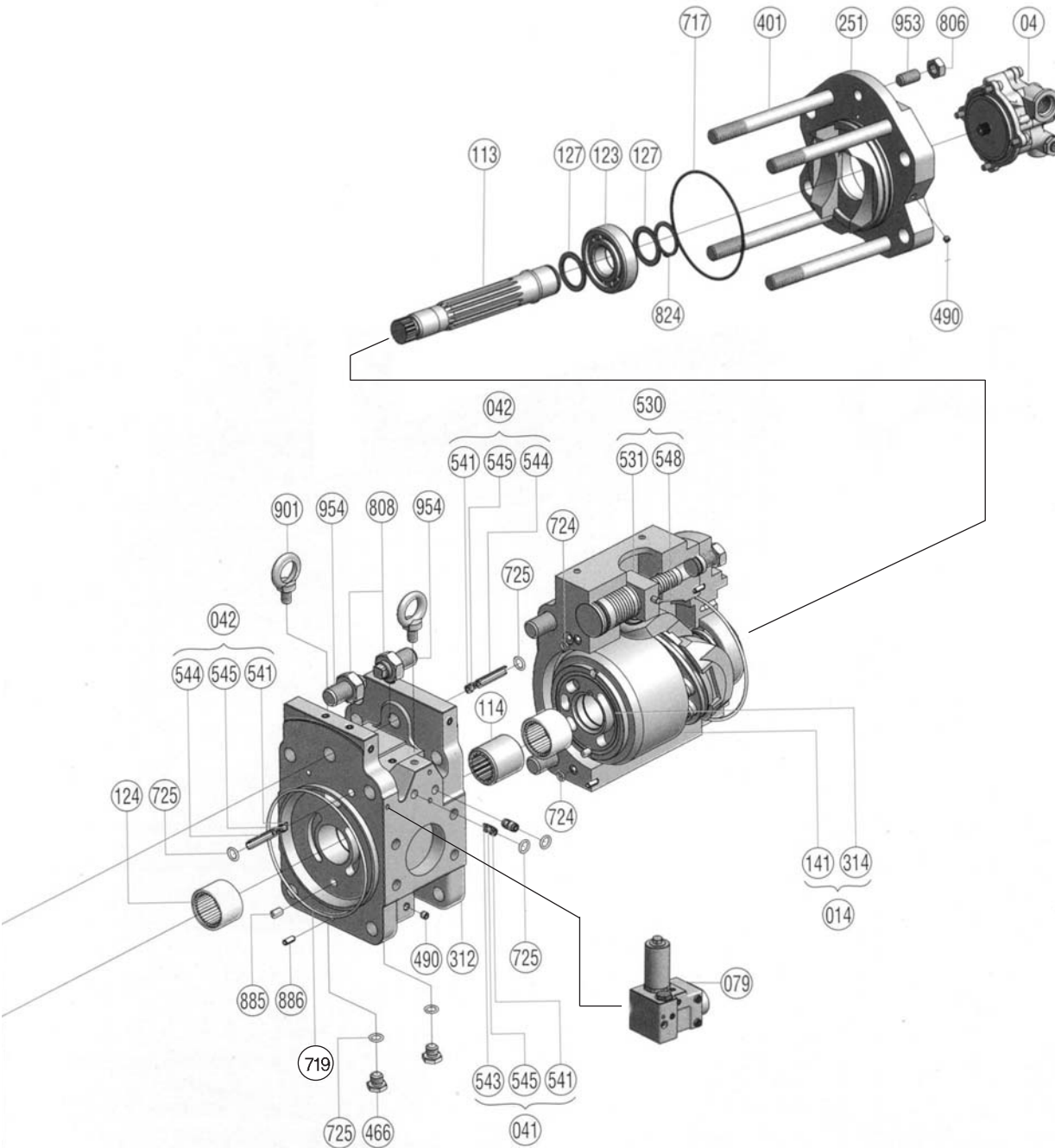
K3V112DT

No.	Part Name	Part Number	Q'ty/set	Remarks
111	DRIVE SHAFT(F)	2933800774	1	
	DRIVE SHAFT(F)	2933800982	1	Ø 45
113	DRIVE SHAFT(R)	2933800883	1	
114	SPLINE COUPLING	2953801763	1	
123	ROLLER BEARING	PNUP308R1CS5K	2	
124	NEEDLE BEARING	PAJ503518	2	
127	BEARING SPACER	38800-127A	4	
153	SET PLATE	2924110-0056	2	
156	SPHERICAL BUSH	2924610-0030	2	
157	CYLINDER SPRING	2953801769	18	

No.	Part Name	Part Number	Q'ty/set	Remarks
211	SHOE PLATE	68710-00-211	2	
212	SWASH PLATE	2933800813	2	
214	TILTING BUSH	PIR2025125	2	
251	SUPPORT	2923800809	2	
261	SEAL COVER(F)	2943800464	1	
271	PUMP CASING	2923250-0338	2	
312	VALVE BLOCK	2923801021	1	
	VALVE CASING	2923230-0012	1	
	VALVE CASING	2923230-0032	1	
	VALVE CASING	2933800944	1	
	VALVE CASING	2933800928	1	



K3V / K5V Series



No.	Part Name	Part Number	Q'ty/set	Remarks
401	SOCKET BOLT	2953801767	8	
406	SOCKET BOLT	0SBM820	4	
466	VP PLUG	0VP14	2	
468	VP PLUG	0VP34	4	
490	PLUG	PBP116-2403	21	
532	SERVO PISTON	2924490-0050	2	
534	STOPPER(L)	2925110-0318	2	
535	STOPPER(S)	2953801762	2	
702	O-RING	00RBG35W	2	
710	O-RING	00RBG95	1	
717	O-RING	00RBG145	4	
724	O-RING	00RBP8	16	
725	O-RING	00RBP11	4	
728	O-RING	00RBP24	4	
732	O-RING	00RBP18W	2	
774	OIL SEAL	PTCV40DLV	1	
	OIL SEAL	PTCV45DLV	1	Ø45
789	BACK UP RING	0T2BP18	2	
792	BACK UP RING	0T2BG35	2	

No.	Part Name	Part Number	Q'ty/set	Remarks
806	NUT	ORN16	2	
808	NUT	ORN20	2	
824	SNAP RING	OSR40	2	
885	VALVE PLATE PIN	PJR812	2	
886	SPRING PIN	OSPV614	4	
901	EYE BOLT	0EBM0	2	
953	SET SCREW	PSSSM1630	2	
954	ADJUST SCREW	2953801768	2	
981	NAME PLATE	PNPF-2591	1	
983	PIN	OSK2548	2	
530	TILTING PIN ASS'Y	2953801989	2	
011	PISTON ASS'Y	3853802464	2ST	
013	CYLINDER ASSY(R)	2921190-0324	1ST	
014	CYLINDER ASSY(L)	2921190-0325	1ST	
041	CHECK VALVE 1 ASS'Y	2953802048	2	
042	CHECK VALVE 2 ASS'Y	2953802049	2	
04	GEAR PUMP	*	1ST	
08	REGULATOR	*	2ST	
079	EPPRVALVE ASSY	*	1ST	

* Main Pump 및 굴삭기 모델로 문의바랍니다.

* Check the Main Pump Model or Excavator Model and contact us with inquiries.